

WTC Series 795 - 1272 Series Wedge Tap Connectors

AFL Wedge Tap Connectors are used to make complete aluminum-to-aluminum and aluminum-to-copper electrical connections. The bolted wedge technology makes installations quicker, easier and safer when compared with traditional tap connectors by eliminating the need for specialized tooling for the same type of connection. Once the appropriate pressure is obtained by the wedge, the breakaway bolt will shear off giving a visual indication that a correct installation has been made.

The connector is rated for the full current of the conductors within its range. As the conductors expand and contract under thermal cycling, the C-shaped body operates within the elastic region of its mechanical properties, allowing the connection to maintain constant pressure, resulting in reliability of performance.

This connector is reusable and can easily be removed by backing out the bolt, which will drive out the wedge. AFL recommends replacing the bolt and applying more inhibitor grease when reusing.

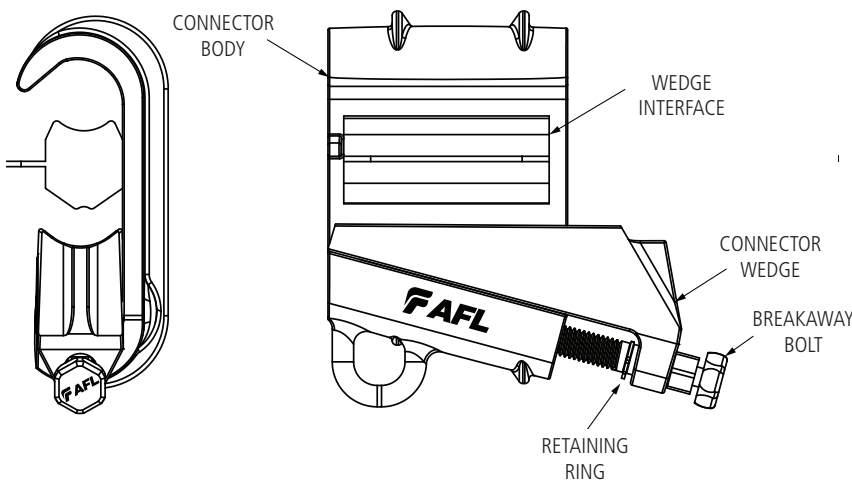
The wedge tap connectors are comprised of high strength aluminum castings, a breakaway bolt and a highly conductive aluminum interface, providing a secure, reliable solution with an installation that is both fast and simple.

Standard Packaging

QUANTITY	WEIGHT
20	40 lbs

Features

- Material
 - Connector Body—Aluminum Alloy
 - Connector Wedge—Aluminum Alloy
 - Breakaway Bolt—Aluminum
 - Retaining Ring—Steel
 - Connector Interface—6101-T6
- Breakaway Bolt Torque: 10-12 ft-lbs
 - Bolt Head size: 3/4"
- For use on ACSR, AAC and AAAC
- For Aluminum-to-Copper connections, the copper wire should be located on the bottom in order to minimize contamination.



* Not rated for HT Conductors

continued
→

WTC Series 795 - 1272 Series Wedge Tap Connectors (cont.)

Ordering Information

LINE NO.	AFL NO.	RUN		TAP		CPI NO.
		CONDUCTOR SIZE	CONDUCTOR DIAMETER RANGE	CONDUCTOR SIZE	CONDUCTOR DIAMETER RANGE	
1	WTC-973/162	636 ACSR, 715, 750 MCM, 795, 900 MCM	0.973" - 1.108"	#6, #4, #2 AAC	0.162" - 0.315"	795454
2	WTC-973/316			#2 ACSR, #1, 1/0, 2/0 AAC	0.316" - 0.446"	795360
3	WTC-973/447			2/0 ACSR, 3/0, 4/0, 250 AAC	0.447" - 0.585"	795218
4	WTC-973/586			266.8, 300 MCM, 350 MCM, 336.4 ACSR 18/1	0.586" - 0.719"	795050
5	WTC-973/720			336.4 ACSR 26/7, 450 MCM, 500 MCM, 477, 556.5 AAC	0.720" - 0.878"	795920
6	WTC-973/879			477 ACSR 30/7, 556.5 ACSR, 600 MCM, 605 MCM, 636 ACSR 18/1, 715.5 AAC	0.879" - 0.990"	795730
7	WTC-973/991			636 ACSR 26/7, 750 MCM, 715, 795, 900 MCM	0.991" - 1.108"	795594
8	WTC-1124/162	954, 900 ACSR, 1000 MCM, 1113 AAC, 1033.5 AAC	1.124" - 1.196"	#6, #4, #2 AAC	0.162" - 0.315"	954420
9	WTC-1124/316			#2 ACSR, #1, 1/0, 2/0 AAC	0.316" - 0.446"	954320
10	WTC-1124/447			2/0 ACSR, 3/0, 4/0, 250 AAC	0.447" - 0.585"	954175
11	WTC-1124/586			266.8, 300 MCM, 350 MCM, 366.4 ACSR 18/1	0.586" - 0.719"	954030
12	WTC-1124/720			366.4 ACSR 26/7, 450 MCM, 397.5, 477, 500 MCM, 556.5 AAC	0.720" - 0.857"	954870
13	WTC-1124/858			477 ACSR 26/7, 556, 605, 715 AAC, 636 ACSR 26/7	0.858" - 0.999"	954660
14	WTC-1124/1000			666.6 ACSR 24/7, 715 ACSR, 795, 900 AAC	1.000" - 1.106"	954484
15	WTC-1124/1107	795 ACSR 26/7, 954, 1113 MCM, 900 ACSR, 1000 MCM, 1033.5 AAC	1.107" - 1.196"	954390		
16	WTC-1212/162	1033.5 ACSR, 1113 ACSR, 1192 AAC, 1272 AAC	1.212" - 1.300"	#6, #4, #2 AAC	0.162" - 0.315"	103370
17	WTC-1212/316			#2 ACSR, #1, 1/0, 2/0 AAC	0.316" - 0.446"	103260
18	WTC-1212/447			2/0 ACSR, 3/0, 4/0 AAC	0.447" - 0.562"	103110
19	WTC-1212/563			4/0 ACSR, 250 MCM, 266.8, 300 MCM	0.563" - 0.664"	103945
20	WTC-1212/665			350 MCM, 336.4, 397.5, 450 MCM	0.665" - 0.794"	103780
21	WTC-1212/795			397.5 ACSR 30/7, 477, 500 MCM, 556 AAC, 600 MCM	0.795" - 0.913"	119793
22	WTC-1212/914			556.5 ACSR 24/7, 636, 715 ACSR 24/7, 750 MCM, 795 AAC	0.914" - 1.039"	103680
23	WTC-1212/1040			795 ACSR 36/1, 900, 954 AAC, 1000 AAC, 1113 MCM	1.040" - 1.161"	103580
24	WTC-1212/1162			900 ACSR 45/7, 1033.5, 954 ACSR, 1192.5 AAC	1.162" - 1.258"	103380
25	WTC-1212/1212			1113 ACSR, 1272 AAC	1.212" - 1.300"	119250

* For Replacement Breakaway Bolts, see page 17 of the TAPLINK® catalog for ordering information.

Qualifications

GOVERNING BODY	STANDARD CODE
ANSI	C119.4

Contact AFL for further details.